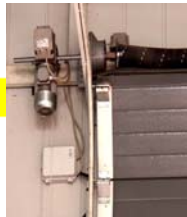


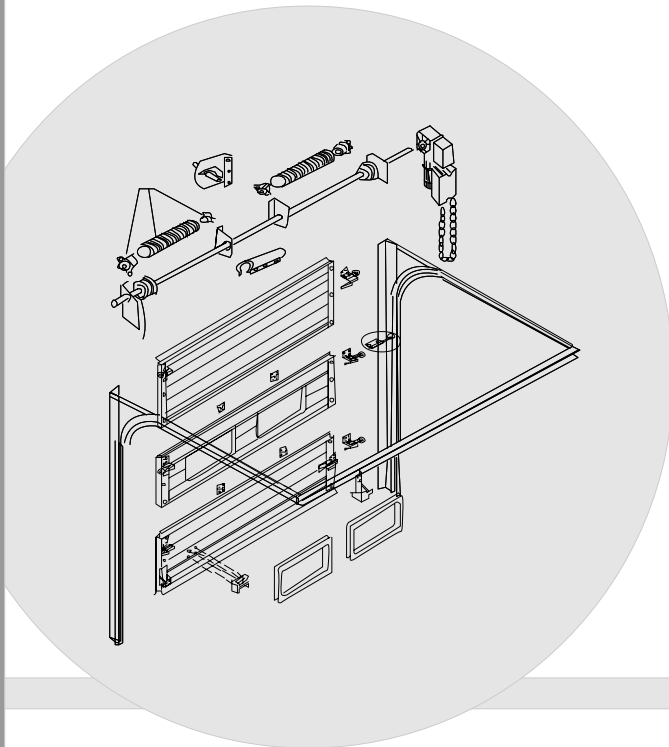


PRODUCT CATALOG

Hardware For Overhead Doors



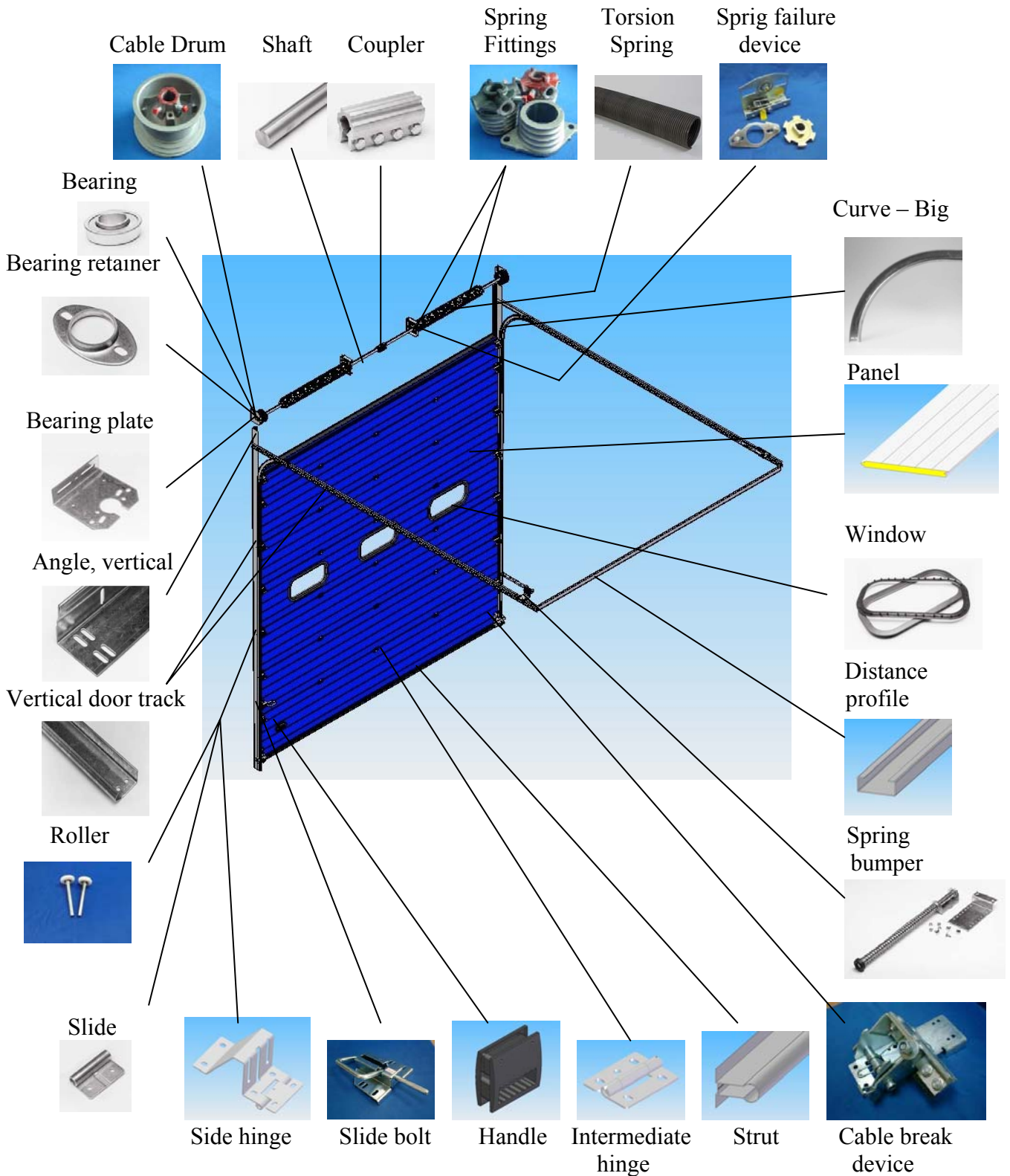
Industrial use



Residential use

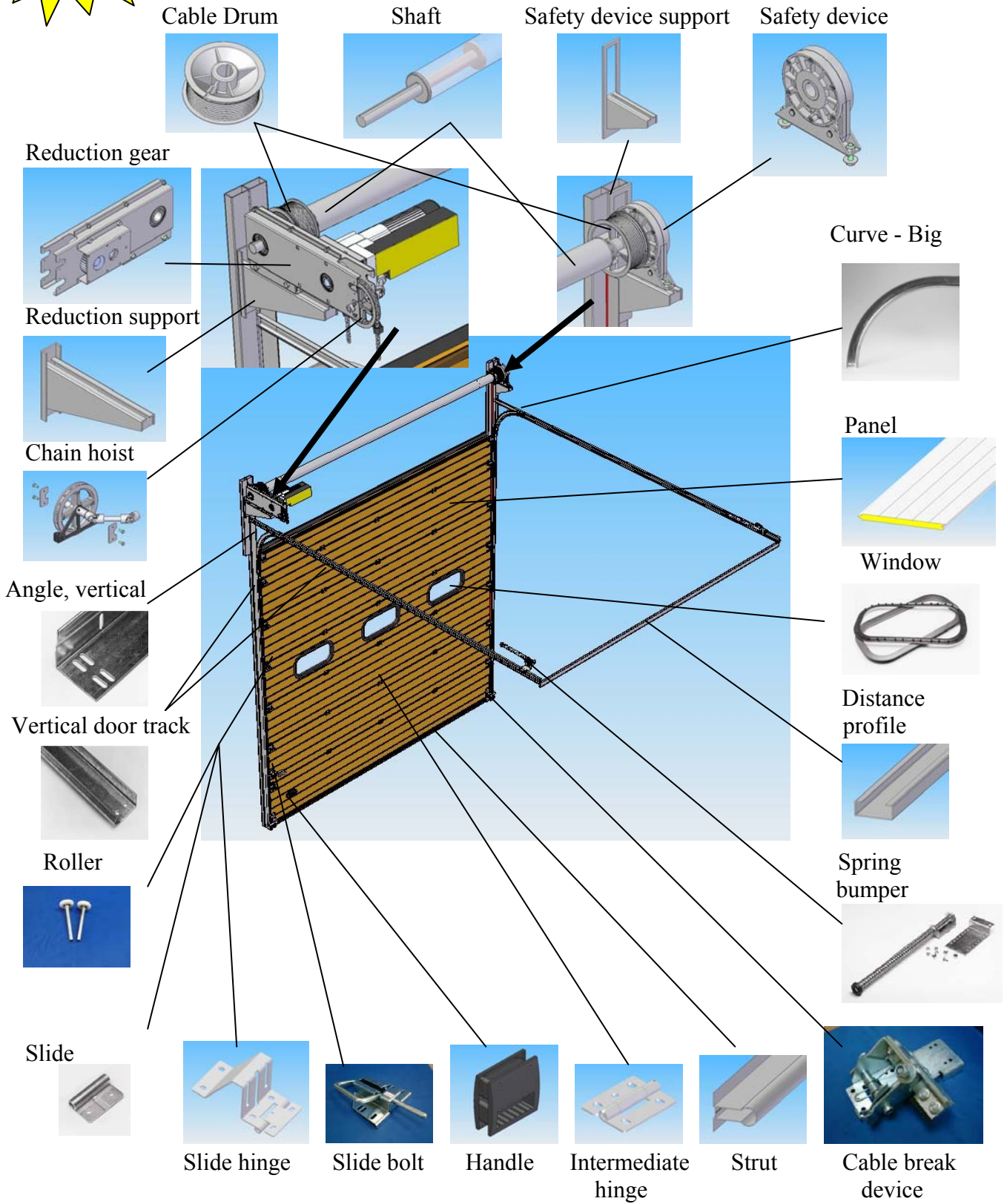
January 2009

INDUSTRIAL

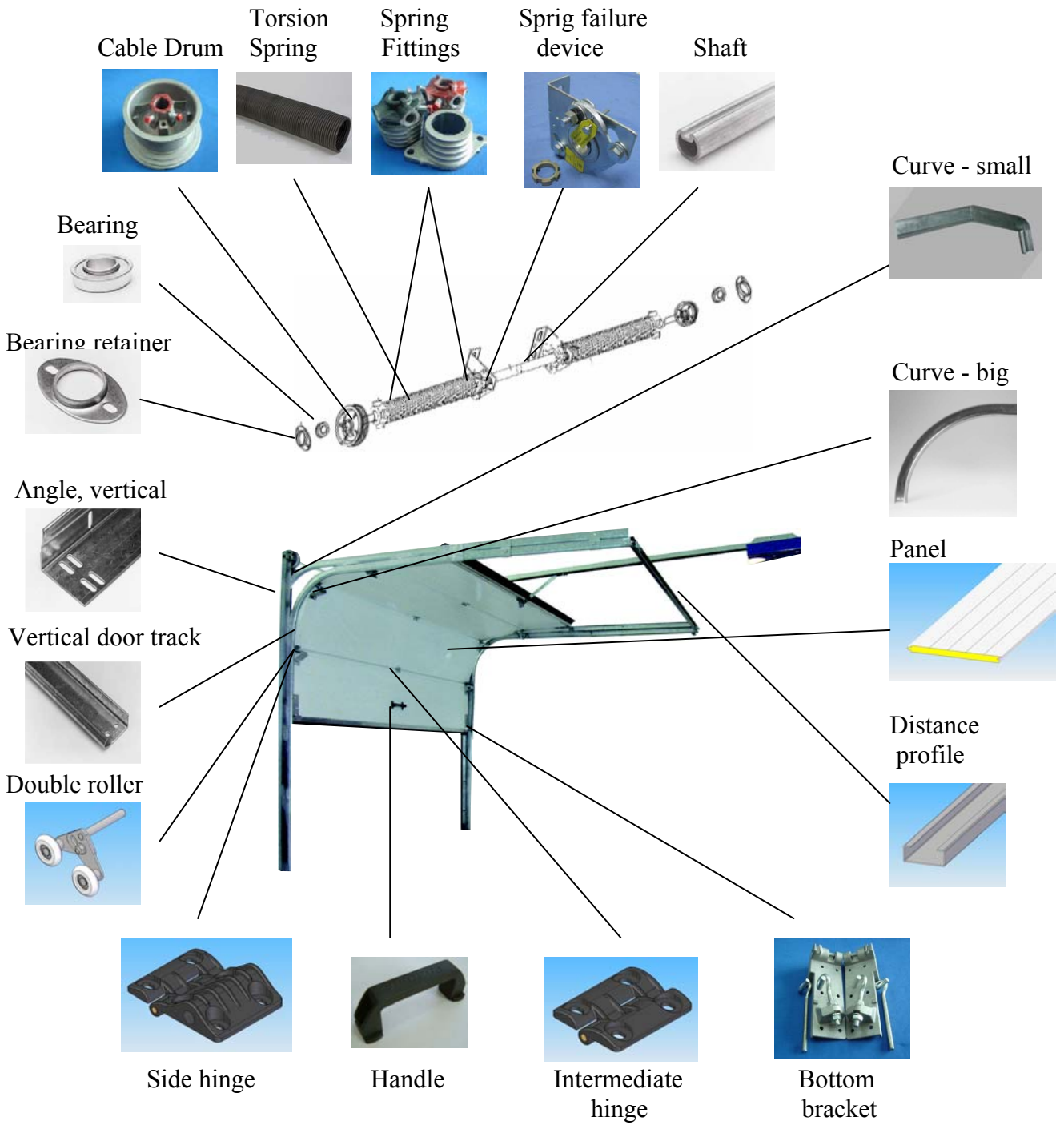




INDUSTRIAL WITHOUT SPRINGS



RESIDENTIAL



Contents:
1 PANEL
ART CODE: BB-P*XXXYYZZ*****

	*	XXX (height)	**	YY (production)	ZZ (dyeing)	***
BB-P	R (Rabote)	480	S1	CL (continuous))	PP (predyed)	1 (outside dyed only)
	T (Tabladoto)	600	S2	DL (discontinuous)	EC (electrostatics)	2 (outside & inside dyed)
	I (Isio)		S3		WI (wood imitation)	
	S (one streak)		S4			

ART. CODE	INVOICE CODE	DESCRIPTION	PAGE
BB-PR480S1CLPP1	71.400.10.00006	PANEL RABOTE 480 (S1) CONTINUOUS LINE, OUTSIDE PREDYED SHEETMETAL (INSIDE WHITE)	1.1
BB-PR480S1CLEC1	71.400.10.00021	PANEL RABOTE 480 (S1) CONTINUOUS LINE, OUTSIDE ELECTROSTATIC DYED SHEETMETAL (INSIDE WHITE)	1.1
BB-PR480S1CLEC2	71.400.10.00022	PANEL RABOTE 480 (S1) CONTINUOUS LINE, OUTSIDE & INSIDE ELECTROSTATIC DYED SHEETMETAL	1.1
BB-PR480S1CLWI1	71.400.10.00023	PANEL RABOTE 480 (S1) CONTINUOUS LINE, OUTSIDE WOOD IMITATION SHEETMETAL (INSIDE WHITE)	1.1
BB-PR480S1DLPP1	71.400.10.00024	PANEL RABOTE 480 (S1) DISCONTINUOUS LINE, OUTSIDE PREDYED SHEETMETAL (INSIDE WHITE)	1.1
BB-PR480S1DLEC1	71.400.10.00025	PANEL RABOTE 480 (S1) DISCONTINUOUS LINE, OUTSIDE ELECTROSTATIC DYED SHEETMETAL (INSIDE WHITE)	1.1
BB-PR480S1DLEC2	71.400.10.00026	PANEL RABOTE 480 (S1) DISCONTINUOUS LINE, OUTSIDE & INSIDE ELECTROSTATIC DYED SHEETMETAL	1.1
BB-PR480S1DLWI1	71.400.10.00027	PANEL RABOTE 480 (S1) DISCONTINUOUS LINE, OUTSIDE WOOD IMITATION SHEETMETAL (INSIDE WHITE)	1.1
BB-PR600S1CLPP1	71.400.10.00007	PANEL RABOTE 600 (S1) CONTINUOUS LINE, OUTSIDE PREDYED SHEETMETAL (INSIDE WHITE)	1.1
BB-PR600S1CLEC1	71.400.10.00028	PANEL RABOTE 600 (S1) CONTINUOUS LINE, OUTSIDE ELECTROSTATIC DYED SHEETMETAL (INSIDE WHITE)	1.1
BB-PR600S1CLEC2	71.400.10.00029	PANEL RABOTE 600 (S1) CONTINUOUS LINE, OUTSIDE & INSIDE ELECTROSTATIC DYED SHEETMETAL	1.1
BB-PR600S1CLWI1	71.400.10.00030	PANEL RABOTE 600 (S1) CONTINUOUS LINE, OUTSIDE WOOD IMITATION SHEETMETAL (INSIDE WHITE)	1.1
BB-PR600S1DLPP1	71.400.10.00031	PANEL RABOTE 600 (S1) DISCONTINUOUS LINE, OUTSIDE PREDYED SHEETMETAL (INSIDE WHITE)	1.1
BB-PR600S1DLEC1	71.400.10.00032	PANEL RABOTE 600 (S1) DISCONTINUOUS LINE, OUTSIDE ELECTROSTATIC DYED SHEETMETAL (INSIDE WHITE)	1.1
BB-PR600S1DLEC2	71.400.10.00033	PANEL RABOTE 600 (S1) DISCONTINUOUS LINE, OUTSIDE & INSIDE ELECTROSTATIC DYED SHEETMETAL	1.1
BB-PR600S1DLWI1	71.400.10.00034	PANEL RABOTE 600 (S1) DISCONTINUOUS LINE, OUTSIDE WOOD IMITATION SHEETMETAL (INSIDE WHITE)	1.1
BB-PT480S2CLPP1	71.400.10.00008	PANEL TABLADOTO 480 (S2) CONTINUOUS LINE, OUTSIDE PREDYED SHEETMETAL (INSIDE WHITE)	1.1
BB-PT480S2CLEC1	71.400.10.00035	PANEL TABLADOTO 480 (S2) CONTINUOUS LINE, OUTSIDE ELECTROSTATIC DYED SHEETMETAL (INSIDE WHITE)	1.1
BB-PT480S2CLEC2	71.400.10.00036	PANEL TABLADOTO 480 (S2) CONTINUOUS LINE, OUTSIDE & INSIDE ELECTROSTATIC DYED SHEETMETAL	1.1
BB-PT480S2CLWI1	71.400.10.00037	PANEL TABLADOTO 480 (S2) CONTINUOUS LINE, OUTSIDE WOOD IMITATION SHEETMETAL (INSIDE WHITE)	1.1
BB-PT480S2DLPP1	71.400.10.00038	PANEL TABLADOTO 480 (S2) DISCONTINUOUS LINE, OUTSIDE PREDYED SHEETMETAL (INSIDE WHITE)	1.1
BB-PT480S2DLEC1	71.400.10.00039	PANEL TABLADOTO 480 (S2) DISCONTINUOUS LINE, OUTSIDE ELECTROSTATIC DYED SHEETMETAL (INSIDE WHITE)	1.1
BB-PT480S2DLEC2	71.400.10.00040	PANEL TABLADOTO 480 (S2) DISCONTINUOUS LINE, OUTSIDE & INSIDE ELECTROSTATIC DYED SHEETMETAL	1.1
BB-PT480S2DLWI1	71.400.10.00041	PANEL TABLADOTO 480 (S2) DISCONTINUOUS LINE, OUTSIDE WOOD IMITATION SHEETMETAL (INSIDE WHITE)	1.1

ART. CODE	INVOICE CODE	DESCRIPTION	PAGE
BB-PT600S2CLPP1	71.400.10.00009	PANEL TABLADOTO 600 (S2) CONTINUOUS LINE, OUTSIDE PREDYED SHEETMETAL (INSIDE WHITE)	1.1
BB-PT600S2CLEC1	71.400.10.00042	PANEL TABLADOTO 600 (S2) CONTINUOUS LINE, OUTSIDE ELECTROSTATIC DYED SHEETMETAL (INSIDE WHITE)	1.1
BB-PT600S2CLEC2	71.400.10.00043	PANEL TABLADOTO 600 (S2) CONTINUOUS LINE, OUTSIDE & INSIDE ELECTROSTATIC DYED SHEETMETAL	1.1
BB-PT600S2CLW11	71.400.10.00044	PANEL TABLADOTO 600 (S2) CONTINUOUS LINE, OUTSIDE WOOD IMITATION SHEETMETAL (INSIDE WHITE)	1.1
BB-PT600S2DLPP1	71.400.10.00045	PANEL TABLADOTO 600 (S2) DISCONTINUOUS LINE, OUTSIDE PREDYED SHEETMETAL (INSIDE WHITE)	1.1
BB-PT600S2DLEC1	71.400.10.00046	PANEL TABLADOTO 600 (S2) DISCONTINUOUS LINE, OUTSIDE ELECTROSTATIC DYED SHEETMETAL (INSIDE WHITE)	1.1
BB-PT600S2DLEC2	71.400.10.00047	PANEL TABLADOTO 600 (S2) DISCONTINUOUS LINE, OUTSIDE & INSIDE ELECTROSTATIC DYED SHEETMETAL	1.1
BB-PT600S2DLW11	71.400.10.00048	PANEL TABLADOTO 600 (S2) DISCONTINUOUS LINE, OUTSIDE WOOD IMITATION SHEETMETAL (INSIDE WHITE)	1.1
BB-PI480S3CLPP1	71.400.10.00002	PANEL ISIO 480 (S3) CONTINUOUS LINE, OUTSIDE PREDYED SHEETMETAL (INSIDE WHITE)	1.2
BB-PI480S3CLEC1	71.400.10.00049	PANEL ISIO 480 (S3) CONTINUOUS LINE, OUTSIDE ELECTROSTATIC DYED SHEETMETAL (INSIDE WHITE)	1.2
BB-PI480S3CLEC2	71.400.10.00050	PANEL ISIO 480 (S3) CONTINUOUS LINE, OUTSIDE & INSIDE ELECTROSTATIC DYED SHEETMETAL	1.2
BB-PI480S3CLW11	71.400.10.00051	PANEL ISIO 480 (S3) CONTINUOUS LINE, OUTSIDE WOOD IMITATION SHEETMETAL (INSIDE WHITE)	1.2
BB-PI480S3DLPP1	71.400.10.00052	PANEL ISIO 480 (S3) DISCONTINUOUS LINE, OUTSIDE PREDYED SHEETMETAL (INSIDE WHITE)	1.2
BB-PI480S3DLEC1	71.400.10.00053	PANEL ISIO 480 (S3) DISCONTINUOUS LINE, OUTSIDE ELECTROSTATIC DYED SHEETMETAL (INSIDE WHITE)	1.2
BB-PI480S3DLEC2	71.400.10.00054	PANEL ISIO 480 (S3) DISCONTINUOUS LINE, OUTSIDE & INSIDE ELECTROSTATIC DYED SHEETMETAL	1.2
BB-PI480S3DLW11	71.400.10.00055	PANEL ISIO 480 (S3) DISCONTINUOUS LINE, OUTSIDE WOOD IMITATION SHEETMETAL (INSIDE WHITE)	1.2
BB-PI600S3CLPP1	71.400.10.00001	PANEL ISIO 600 (S3) CONTINUOUS LINE, OUTSIDE PREDYED SHEETMETAL (INSIDE WHITE)	1.2
BB-PI600S3CLEC1	71.400.10.00056	PANEL ISIO 600 (S3) CONTINUOUS LINE, OUTSIDE ELECTROSTATIC DYED SHEETMETAL (INSIDE WHITE)	1.2
BB-PI600S3CLEC2	71.400.10.00057	PANEL ISIO 600 (S3) CONTINUOUS LINE, OUTSIDE & INSIDE ELECTROSTATIC DYED SHEETMETAL	1.2
BB-PI600S3CLW11	71.400.10.00058	PANEL ISIO 600 (S3) CONTINUOUS LINE, OUTSIDE WOOD IMITATION SHEETMETAL (INSIDE WHITE)	1.2
BB-PI600S3DLPP1	71.400.10.00059	PANEL ISIO 600 (S3) DISCONTINUOUS LINE, OUTSIDE PREDYED SHEETMETAL (INSIDE WHITE)	1.2
BB-PI600S3DLEC1	71.400.10.00060	PANEL ISIO 600 (S3) DISCONTINUOUS LINE, OUTSIDE ELECTROSTATIC DYED SHEETMETAL (INSIDE WHITE)	1.2
BB-PI600S3DLEC2	71.400.10.00061	PANEL ISIO 600 (S3) DISCONTINUOUS LINE, OUTSIDE & INSIDE ELECTROSTATIC DYED SHEETMETAL	1.2
BB-PI600S3DLW11	71.400.10.00062	PANEL ISIO 600 (S3) DISCONTINUOUS LINE, OUTSIDE WOOD IMITATION SHEETMETAL (INSIDE WHITE)	1.2
BB-PS480S4CLPP1	71.400.10.00003	PANEL ONE STREAK 480 (S4) CONTINUOUS LINE, OUTSIDE PREDYED SHEETMETAL (INSIDE WHITE)	1.2
BB-PS480S4CLEC1	71.400.10.00063	PANEL ONE STREAK 480 (S4) CONTINUOUS LINE, OUTSIDE ELECTROSTATIC DYED SHEETMETAL (INSIDE WHITE)	1.2
BB-PS480S4CLEC2	71.400.10.00064	PANEL ONE STREAK 480 (S4) CONTINUOUS LINE, OUTSIDE & INSIDE ELECTROSTATIC DYED SHEETMETAL	1.2
BB-PS480S4CLW11	71.400.10.00065	PANEL ONE STREAK 480 (S4) CONTINUOUS LINE, OUTSIDE WOOD IMITATION SHEETMETAL (INSIDE WHITE)	1.2
BB-PS480S4DLPP1	71.400.10.00066	PANEL ONE STREAK 480 (S4) DISCONTINUOUS LINE, OUTSIDE PREDYED SHEETMETAL (INSIDE WHITE)	1.2
BB-PS480S4DLEC1	71.400.10.00067	PANEL ONE STREAK 480 (S4) DISCONTINUOUS LINE, OUTSIDE ELECTROSTATIC DYED SHEETMETAL (INSIDE WHITE)	1.2

ART. CODE	INVOICE CODE	DESCRIPTION	PAGE
BB-PS480S4DLEC2	71.400.10.00068	PANEL ONE STREAK 480 (S4) DISCONTINUOUS LINE, OUTSIDE & INSIDE ELECTROSTATIC DYED SHEETMETAL	1.2
BB-PS480S4DLWI1	71.400.10.00069	PANEL ONE STREAK 480 (S4) DISCONTINUOUS LINE, OUTSIDE WOOD IMITATION SHEETMETAL (INSIDE WHITE)	1.2
BB-PS600S4CLPP1	71.400.10.00004	PANEL ONE STREAK 600 (S4) CONTINUOUS LINE, OUTSIDE PREDYED SHEETMETAL (INSIDE WHITE)	1.2
BB-PS600S4CLEC1	71.400.10.00070	PANEL ONE STREAK 600 (S4) CONTINUOUS LINE, OUTSIDE ELECTROSTATIC DYED SHEETMETAL (INSIDE WHITE)	1.2
BB-PS600S4CLEC2	71.400.10.00071	PANEL ONE STREAK 600 (S4) CONTINUOUS LINE, OUTSIDE & INSIDE ELECTROSTATIC DYED SHEETMETAL	1.2
BB-PS600S4CLWI1	71.400.10.00072	PANEL ONE STREAK 600 (S4) CONTINUOUS LINE, OUTSIDE WOOD IMITATION SHEETMETAL (INSIDE WHITE)	1.2
BB-PS600S4DLPP1	71.400.10.00073	PANEL ONE STREAK 600 (S4) DISCONTINUOUS LINE, OUTSIDE PREDYED SHEETMETAL (INSIDE WHITE)	1.2
BB-PS600S4DLEC1	71.400.10.00074	PANEL ONE STREAK 600 (S4) DISCONTINUOUS LINE, OUTSIDE ELECTROSTATIC DYED SHEETMETAL (INSIDE WHITE)	1.2
BB-PS600S4DLEC2	71.400.10.00075	PANEL ONE STREAK 600 (S4) DISCONTINUOUS LINE, OUTSIDE & INSIDE ELECTROSTATIC DYED SHEETMETAL	1.2
BB-PS600S4DLWI1	71.400.10.00076	PANEL ONE STREAK 600 (S4) DISCONTINUOUS LINE, OUTSIDE WOOD IMITATION SHEETMETAL (INSIDE WHITE)	1.2

2 CABLE DRUMS

ART. CODE	INVOICE CODE	DESCRIPTION	PAGE
FF-NL-10	24.700.10.00031	CABLE DRUM Hmax. 3000mm	2.1
FF0402	24.700.10.00025	CABLE DRUM Hmax. 2440mm	2.1
FF-4-13	24.700.10.00026	CABLE DRUM Hmax. 3880mm	2.1
FF-NL-18	24.700.10.00018	CABLE DRUM Hmax. 5570mm	2.1
FF-NL-32	24.700.10.00019	CABLE DRUM Hmax. 10175mm	2.2
FF-54	24.700.10.00028	CABLE DRUM HLmax.1370mm	2.2
FF-120	24.700.10.00029	CABLE DRUM HLmax. 3050mm	2.2
FF-HL-164	24.700.10.00022	CABLE DRUM HLmax 4100mm Hmax. 6000mm	2.2
FF-VL-11	24.700.10.00023	CABLE DRUM Hmax. 3300mm	2.2
FF-VL-18	24.700.10.00024	CABLE DRUM Hmax. 6000mm	2.3
BB-NHV-LH	24.700.10.00033	CABLE DRUM Hmax. 6000mm LH	2.3
BB-NHV-RH	24.700.10.00034	CABLE DRUM Hmax. 6000mm RH	2.3

3 SPRING FITTINGS

ART. CODE	INVOICE CODE	DESCRIPTION	PAGE
FF-2.00TAI	24.800.12.00032	SPRING FITTING 51mm	3.1
FF-2.63TAI	24.800.12.00033	SPRING FITTING 67mm	3.1
FF-3.75LETAI	24.800.12.00035	SPRING FITTING 95mm	3.1
FF-6.00	24.800.12.00036	SPRING FITTING 152mm	3.1

4 PLATES & BRACKETS

ART. CODE	INVOICE CODE	DESCRIPTION	PAGE
310RH	24.800.12.00021	BEARING PLATE 1" , 67mm RES RH	4.1
310LH	24.800.12.00022	BEARING PLATE 1" , 67mm RES LH	4.1
315-4N	24.800.12.00017	BEARING PLATE 86mm	4.1
316-4N	24.800.12.00018	BEARING PLATE 111mm	4.1
317-4N	24.800.12.00019	BEARING PLATE 127mm	4.1
318-4N	24.800.12.00020	BEARING PLATE 152 mm	4.1
UP-2-6	24.800.12.00023	MOUNTING PLATE, "DUPLEX" SPRINGS	4.1
661	24.800.12.00128	ADJUSTABLE PLATE FOR SPRING BREAK DEVICE	4.1
662	71.800.12.00111	ADJUSTABLE PLATE FOR OVITOR	4.2
325	24.800.12.00031	BEARING RETAINER	4.2
USA-B	24.800.12.00075	BEARING	4.2
808W	24.800.12.00024	TRACK CONNECTING PLATE	4.2
870-180	24.800.12.00028	TRACK CONNECTING PLATE FLAT	4.2
870HANG	24.800.12.00026	TRACK CONNECTING PLATE BENDED	4.2
BB-435M	71.800.12.00112	REDUCTION GEAR SUPPORT	4.3
BB-435A	71.800.12.00113	SAFETY DEVICE SUPPORT	4.3

5 SHAFTS

ART. CODE	INVOICE CODE	DESCRIPTION	PAGE
701-6000	24.700.40.00009	SHAFT (TUBE WITHOUT KEY WAY)	5.1
705GB-3500	24.700.10.00003	SHAFT (TUBE WITH KEY WAY)	5.1
702-3500Z	24.700.10.00011	SHAFT (SOLID WITH KEY WAY)	5.1
708-120	24.800.12.00052	COUPLER 120mm	5.1
708-90	24.800.12.00051	COUPLER 90mm	5.1
700B-75	24.800.12.00081	SQUARE KEY 1/4"x1/4"	5.1
712B-75	24.800.12.00067	SQUARE KEY 1/4"x3/8"	5.2
BB-40-101	71.800.12.00114	SIDE SHAFT WITH FLANGE	5.2
BB-101	24.700.10.00032	TUBE Φ 101mm	5.2

6 SPRING FAILURE DEVICES

ART. CODE	INVOICE CODE	DESCRIPTION	PAGE
651 LH	24.800.12.00008	SPRING FAILURE DEVICE for 1-3/4" (44mm) & 2"(51mm) Cone RH	6.1
651 RH	24.800.12.00009	SPRING FAILURE DEVICE for 1-3/4" (44mm) & 2" (51mm) Cone LH	6.1
667 LH	24.800.12.00010	SPRING FAILURE DEVICE for 2-5/8" (67mm) RH	6.1
667 RH	24.800.12.00011	SPRING FAILURE DEVICE for 2-5/8" (67mm) LH	6.1
670 LH	24.800.12.00012	SPRING FAILURE DEVICE for 3-3/4" (95mm) RH	6.1
670 RH	24.800.12.00013	SPRING FAILURE DEVICE for 3-3/4" (95mm) LH	6.1
670 LH (IND)	24.800.12.00182	SPRING FAILURE DEVICE for 6" (152mm) RH	6.1
670 RH (IND)	24.800.12.00183	SPRING FAILURE DEVICE for 6" (152mm) LH	6.1

7 SCREWS-BOLTS-NUTS-RINGS

ART. CODE	INVOICE CODE	DESCRIPTION	PAGE
1052BV	25.800.30.00021	SREW SELF-TAPPING	7.1
1062B	25.800.30.00019	BOLT WITH 2mm HIGH SQUARE	7.1
1006B	25.800.30.00018	PRESS BOLT SELF LOCKING	7.1
1820	25.800.30.00108	BOLT DIN 603 galv 8X20	7.1
1825	25.800.30.00104	BOLT DIN 603 galv 8X25	7.1
1816	25.800.30.00063	BOLT HEXAGON DIN 933-8,8 - 8X16	7.1
1080M	25.800.30.00109	NUT DIN934 galv M8X1,25	7.1
1062M	25.800.30.00051	FLANGED NUT galv M6	7.2
1080R	25.800.30.00075	FLAT WASHER M8 DIN 125 galv	7.2
1080RW	25.800.30.00074	FLAT WASHER M8 DIN9021 galv	7.2
1065	24.800.12.00093	COLLAR	7.2
2066-07	24.800.12.00002	DISTANCE RINGS 7mm	7.2
2066-010	24.800.12.00003	DISTANCE RINGS 10mm	7.2

8 GALVANIZE PROFILES

ART. CODE	INVOICE CODE	DESCRIPTION	PAGE
BB-9VB-20	24.700.40.00289	ANGLE VERTICAL galv 90x62-2mm	8.1
BB-9VB-15	24.700.40.00326	ANGLE VERTICAL galv 90x62-1,5mm	8.1
BB-2V-20	24.800.50.00031	VERTICAL DOOR TRACK 2mm	8.1
BB-2V-15	24.800.50.00036	VERTICAL DOOR TRACK 1,5mm	8.1
2H1500-380	24.800.50.00026	CURVE BIG L:1500	8.1
2H3000-380	24.800.50.00027	CURVE BIG L:3000	8.1
BB-215H20-300	71.800.50.00027	CURVE SMALL 2mm L=1500mm	8.1
BB-230H20-300	71.800.50.00029	CURVE SMALL 2mm L=3000mm	8.1
BB-115H20-300	71.800.50.00030	CURVE SMALL 1,5mm L=1500mm	8.1
BB-C5020	24.700.40.00291	DISTANCE PROFILE	8.1
BB-40B40	71.700.70.00003	ANGLE PERFORATED 40X40	8.2
BB-75-5000	24.800.12.00116	STRUT	8.2
BB-40RE480	71.800.12.00107	END CAP 480	8.2
BB-40RE600	71.800.12.00109	END CAP 600	8.2
3021L	24.800.12.00126	ANGLE BRACKET, RES, 380X96 mm	8.2
3022D	24.800.12.00127	ANGLE BRACKET, DOUBLE TRACK, for 3021L	8.2

9 RUBBER & SEALS

ART. CODE	INVOICE CODE	DESCRIPTION	PAGE
1085-4560	24.800.40.00010	SIDE SEAL	9.1
1085-5060	24.800.40.00011	SIDE SEAL	9.1
1085-5560	24.800.40.00012	SIDE SEAL	9.1
1085-6000	24.800.40.00013	SIDE SEAL	9.1
BB-1035	24.800.40.00016	BOTTOM ASTRAGAL	9.1
BB-1036	24.800.40.00015	TOP ASTRAGAL	9.1
BB-1037	24.800.40.00017	INTERVAL ASTRAGAL	9.1
BB-1032	24.800.40.00018	PASS DOOR ASTRAGAL	9.1

10 SPRING BUMBERS-PLATES

ART. CODE	INVOICE CODE	DESCRIPTION	PAGE
718	24.800.12.00040	SPRING BUMBER, COMPLETE, L = 220mm	10.1
719	24.800.12.00041	SPRING BUMBER, COMPLETE, L = 500mm	10.1
2101	24.800.12.00122	PLATE Z for 718, 719	10.1
2090	24.800.12.00122	PLATE G for 718, 719	10.1

11 ALUMINIUM PROFILES

ART. CODE	INVOICE CODE	DESCRIPTION	PAGE
BB-1038	24.700.70.00030	BOTTOM ALUMINIUM	11.1
BB-1038T	24.700.70.00033	TOP ALUMINIUM	11.1
BB-1034N	24.800.12.00055	HINGE FOR PASS DOOR (2,5m)	11.1
BB-1033V	24.700.70.00036	PASS DOOR PROFILE	11.1
BB-1032END	24.700.70.00039	PASS DOOR PROFILE WITH LIP	11.2
355005/1	24.700.70.00015	BOTTOM PANEL'S PROFILE	11.2
355007/1	24.700.70.00009	UPPER PROFILE FOR UP PROFILE	11.2
355008/1	24.700.70.00012	UP PROFILE	11.2
355006/1	24.700.70.00006	BLADE WITH SOCKET FOR RUBBER	11.2
355009/1	24.700.70.00018	SIDE PANEL'S PROFILE	11.3
355010/1	24.700.70.00021	INTERMEDIATE PANEL'S PROFILE	11.3
256075	24.700.70.00024	PROFILE FOR SINGLE GLASS	11.3
245525	24.700.70.00027	PROFILE FOR DOUBLE GLASS	11.3
355015	24.700.70.00054	ALUMINIUM STRUT	11.3

12 HANDLES-LOCKS

ART. CODE	INVOICE CODE	DESCRIPTION	PAGE
642BL	24.800.12.00120	HANDLE	12.1
BB-634	24.800.12.00097	HANDLE BIOROL	12.1
BB-634N	24.800.12.00098	HANDLE BIOROL new	12.1
BB-1034D	24.800.12.00129	PASS DOOR PUSHER	12.1
1034GRIP	24.800.12.00130	GRIP FOR PASS DOOR	12.1
BB-CL30B	24.800.10.00002	LOCK 30 with ball	12.2
BB-CL30	24.800.10.00001	LOCK 30	12.2
BB-CL30M	24.800.10.00003	CYLINDER 30	12.2
BB-PD2	24.800.12.00184	PASS DOOR HANDLE	12.2
650-40BL	24.800.10.00001	CYLINDER LOCK, RES DOORS	12.2
RELEASE ADS	24.800.10.00008	EMERGENCY RELEASE KIT	12.2

13 HINGS-BRACKETS

ART. CODE	INVOICE CODE	DESCRIPTION	PAGE
417	24.800.12.00058	TOP ROLLER BRACKET, DOUBLE GUIDE (2,5mm)	13.1
450BZ	24.800.12.00064	TOP ROLLER BRACKET, SINGLE GUIDE (2,5mm)	13.1
450HZ50	24.800.12.00054	INTERMEDIATE HINGE (2,5mm)	13.1
450RZ50REV	24.800.12.00056	SIDE HINGE (2,5mm)	13.1
447Z	24.800.12.00115	SLIDE SINGLE (2,5mm)	13.1
447DOUB	24.800.12.00150	SLIDE DOUBLE (2,5mm)	13.2
427SX	24.800.12.00060	BOTTOM BRACKET, RES	13.2
440-600	24.800.12.00059	CABLE BRAKE DEVICE	13.2
629VER	24.800.12.00077	SLIDE BOLT	13.2
BB-PLU	24.800.12.00147	TOP BRACKET, PLASTIC, black	13.2
BB-PLI	24.800.12.00148	INTERMEDIATE HINGE, PLASTIC, black	13.2
BB-PLS	24.800.12.00145	SIDE HINGE, PLASTIC, black	13.3
BB-MES	24.800.12.00185	SIDE HINGE, METALLIC, for double roller	13.3

14 ROLLERS

ART. CODE	INVOICE CODE	DESCRIPTION	PAGE
574-60	24.800.12.00071	ROLLER short	14.1
575-100	24.800.12.00072	ROLLER long	14.1
581CEN	24.800.12.00125	ROLLER PROTECTION	14.1
BB-2R-75	24.800.12.00186	DOUBLE ROLLER	14.1

15 CABLES & COMPONENTS

ART. CODE	INVOICE CODE	DESCRIPTION	PAGE
503F	24.800.12.00102	LIFTING CABLE 3mm	15.1
504F	24.800.12.00104	LIFTING CABLE 4mm	15.1
505F	24.800.12.00105	LIFTING CABLE 5mm	15.1
511	24.800.12.00092	CABLE SLEEVE 3mm	15.1
510	24.800.12.00091	CABLE SLEEVE 4mm	15.1
509	24.800.12.00090	CABLE SLEEVE 5mm	15.1
512	24.800.12.00106	CABLE SLEEVE 3-4mm	15.1

16 WINDOWS & GRILLS

ART. CODE	INVOICE CODE	DESCRIPTION	PAGE
2380TC1	24.800.12.00044	WINDOW 630x195mm oval	16.1
2390	24.800.12.00046	WINDOW 726x326mm oval	16.1
2397	24.800.12.00045	WINDOW 663x343mm oval	16.1
2400-90	24.800.12.00047	WINDOW 680x373 rectangular	16.1
2200CL	24.800.12.00121	WINDOW 496x300 rectangular WHITE	16.1
2200CL/BLACK	24.800.12.00048	WINDOW 496x300 rectangular BLACK	16.1
717SIM	24.800.12.00042	VENTILATION GRILL, cannot be closed	16.2
717FERM	24.800.12.00043	VENTILATION GRILL, can be closed	16.2

17 CHAIN HOIST-CHAIN-REDUCTION GEAR

ART. CODE	INVOICE CODE	DESCRIPTION	PAGE
724	24.800.12.00065	CHAIN HOIST, incl. 8m chain	17.1
723A	24.800.12.00066	CHAIN	17.1
76060000	24.800.12.00118	CHAIN HOIST FOR REDUCTION ELSAMEC	17.1
723AELS	24.800.12.00139	CHAIN FOR CHAIN HOIST ELSAMEC	17.1
S-16	24.800.20.00294	SPROCKET 16T	17.1
S-24	24.800.20.00183	SPROCKET 24T	17.1
S-32	24.800.20.00295	SPROCKET 32T	17.1
KS12	24.800.12.00069	REDUCTION CHAIN	17.2
KS12-C	24.800.12.00187	LINCHPIN FOR REDUCTION CHAIN	17.2
BB-40-1:5	24.800.13.00023	REDUCTION GEAR ELSAMEC FOR SECTIONAL DOOR (NEW)	17.2
BB-40-1:5-A	20.800.13.00024	FIRST STAGE OF REDUCTION GEAR ELSAMEC (NEW)	17.2
SDM7A	24.800.13.00001	SAFETY BREAK GAPOSA M7A	17.2

18 SPRING FILLER

ART. CODE	INVOICE CODE	DESCRIPTION	PAGE
1064PVC3000	24.800.12.00262	SPRING FILLER 95mm	18.1
1078PVC3000	24.800.12.00131	SPRING FILLER 152mm	18.1

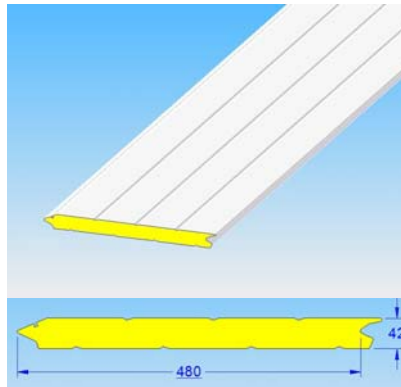
19 TORSION SPRINGS

ART. CODE	INVOICE CODE	DESCRIPTION	PAGE
ML50508300DXK	24.700.60.00002	TORSION SPRING 5,0X50,8 L:3000 RIGHT GALVANIZE	19.1
ML50508300SXX	24.700.60.00001	TORSION SPRING 5,0X50,8 L:3000 LEFT GALVANIZE	19.1
ML55508300DXK	24.700.60.00004	TORSION SPRING 5,5X50,8 L:3000 RIGHT GALVANIZE	19.1
ML55508300SXX	24.700.60.00003	TORSION SPRING 5,5X50,8 L:3000 LEFT GALVANIZE	19.1
ML60508300DXK	24.700.60.00016	TORSION SPRING 6,0X50,8 L:3000 RIGHT GALVANIZE	19.1
ML60508300SXX	24.700.60.00015	TORSION SPRING 6,0X50,8 L:3000 LEFT GALVANIZE	19.1
ML60667325DXK	24.700.60.00008	TORSION SPRING 6,0X66,7 L:3250 RIGHT GALVANIZE	19.1
ML60667325SXX	24.700.60.00007	TORSION SPRING 6,0X66,7 L:3250 LEFT GALVANIZE	19.1
ML65667300DXK	24.700.60.00018	TORSION SPRING 6,5X66,7 L:3000 RIGHT GALVANIZE	19.1
ML65667300SXX	24.700.60.00017	TORSION SPRING 6,5X66,7 L:3000 LEFT GALVANIZE	19.1
ML70667300DXK	24.700.60.00010	TORSION SPRING 7,0X66,7 L:3000 RIGHT GALVANIZE	19.1
ML70667300SXX	24.700.60.00009	TORSION SPRING 7,0X66,7 L:3000 LEFT GALVANIZE	19.1
ML65667300DX	24.700.60.00065	TORSION SPRING 6,5X66,7 L:3000 RIGHT BLACK	19.1
ML65667300SX	24.700.60.00064	TORSION SPRING 6,5X66,7 L:3000 LEFT BLACK	19.1
ML70667300DX	24.700.60.00020	TORSION SPRING 7,0X66,7 L:3000 RIGHT BLACK	19.1
ML70667300SX	24.700.60.00019	TORSION SPRING 7,0X66,7 L:3000 LEFT BLACK	19.1
ML75952300DX	24.700.60.00026	TORSION SPRING 7,5X95,25 L:3000 RIGHT BLACK	19.2
ML75952300SX	24.700.60.00025	TORSION SPRING 7,5X95,25 L:3000 LEFT BLACK	19.2
ML80952300DX	24.700.60.00028	TORSION SPRING 8,0X95,25 L:3000 RIGHT BLACK	19.2
ML80952300SX	24.700.60.00027	TORSION SPRING 8,0X95,25 L:3000 LEFT BLACK	19.2
ML85952300DX	24.700.60.00030	TORSION SPRING 8,5X95,25 L:3000 RIGHT BLACK	19.2
ML85952300SX	24.700.60.00029	TORSION SPRING 8,5X95,25 L:3000 LEFT BLACK	19.2
ML90952300DX	24.700.60.00034	TORSION SPRING 9,0X95,25 L:3000 RIGHT BLACK	19.2
ML90952300SX	24.700.60.00033	TORSION SPRING 9,0X95,25 L:3000 LEFT BLACK	19.2
ML95952300DX	24.700.60.00036	TORSION SPRING 9,5X95,25 L:3000 RIGHT BLACK	19.2
ML95952300SX	24.700.60.00035	TORSION SPRING 9,5X95,25 L:3000 LEFT BLACK	19.2
ML80152300DX	24.700.60.00040	TORSION SPRING 8,0X152,4 L:3000 RIGHT BLACK	19.2
ML80152300SX	24.700.60.00039	TORSION SPRING 8,0X152,4 L:3000 LEFT BLACK	19.2
ML85152300DX	24.700.60.00042	TORSION SPRING 8,5X152,4 L:3000 RIGHT BLACK	19.2
ML85152300SX	24.700.60.00041	TORSION SPRING 8,5X152,4 L:3000 LEFT BLACK	19.2
ML90152300DX	24.700.60.00044	TORSION SPRING 9,0X152,4 L:3000 RIGHT BLACK	19.2
ML90152300SX	24.700.60.00043	TORSION SPRING 9,0X152,4 L:3000 LEFT BLACK	19.2
ML95152325DX	24.700.60.00046	TORSION SPRING 9,5X152,4 L:3250 RIGHT BLACK	19.2
ML95152325SX	24.700.60.00045	TORSION SPRING 9,5X152,4 L:3250 LEFT BLACK	19.2
ML10152300DX	24.700.60.00048	TORSION SPRING 10,0X152,4 L:3000 RIGHT BLACK	19.2
ML10152300SX	24.700.60.00047	TORSION SPRING 10,0X152,4 L:3000 LEFT BLACK	19.2
ML105152300DX	24.700.60.00050	TORSION SPRING 10,5X152,4 L:3000 RIGHT BLACK	19.2
ML105152300SX	24.700.60.00049	TORSION SPRING 10,5X152,4 L:3000 LEFT BLACK	19.2
ML110152300DX	24.700.60.00052	TORSION SPRING 11X152,4 L:3000 RIGHT BLACK	19.2
ML110152300SX	24.700.60.00051	TORSION SPRING 11X152,4 L:3000 LEFT BLACK	19.2

1 PANEL

PANEL RABOTE 480 (S1)

Art. Code	Invoice Code
BB-PR480S1CLPP1	71.400.10.00006
BB-PR480S1CLEC1	71.400.10.00021
BB-PR480S1CLEC2	71.400.10.00022
BB-PR480S1CLW11	71.400.10.00023
BB-PR480S1DLPP1	71.400.10.00024
BB-PR480S1DLEC1	71.400.10.00025
BB-PR480S1DLEC2	71.400.10.00026
BB-PR480S1DLW11	71.400.10.00027

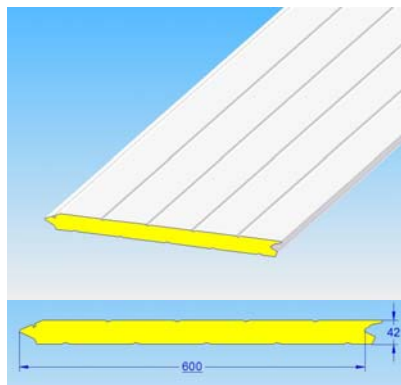


Panel filled with inflated polyurethane, double wall with stucco shaped galvanize steel sheet, thickness 0,5 mm.
 Panel height: 480 mm
 Total Panel thickness: 42mm
 Weight: 5,7 Kg/m
 Max length : until 14 m (continuous line CL)
 until 7,5 m (discontinuous line DL)

- Dyeing:
- Outside predyed only (PP1)
 - Electrostatic dyed in RAL tint outside only (EC1)
 - Electrostatic dyed in RAL tint inside & outside (EC2)
 - Wood imitation outside only (W11)

PANEL RABOTE 600 (S1)

Art. Code	Invoice Code
BB-PR600S1CLPP1	71.400.10.00007
BB-PR600S1CLEC1	71.400.10.00028
BB-PR600S1CLEC2	71.400.10.00029
BB-PR600S1CLW11	71.400.10.00030
BB-PR600S1DLPP1	71.400.10.00031
BB-PR600S1DLEC1	71.400.10.00032
BB-PR600S1DLEC2	71.400.10.00033
BB-PR600S1DLW11	71.400.10.00034

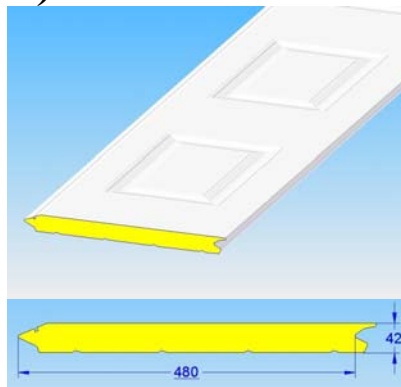


Panel filled with inflated polyurethane, double wall with stucco shaped galvanize steel sheet, thickness 0,5 mm.
 Panel height: 600 mm
 Total Panel thickness: 42mm
 Weight: 6,8 Kg/m
 Max length : until 14 m (continuous line CL)
 until 7,5 m (discontinuous line DL)

- Dyeing:
- Outside predyed only (PP1)
 - Electrostatic dyed in RAL tint outside only (EC1)
 - Electrostatic dyed in RAL tint inside & outside (EC2)
 - Wood imitation outside only (W11)

PANEL TABLADOTO 480 (S2)

Art. Code	Invoice Code
BB-PT480S2CLPP1	71.400.10.00008
BB-PT480S2CLEC1	71.400.10.00035
BB-PT480S2CLEC2	71.400.10.00036
BB-PT480S2CLW11	71.400.10.00037
BB-PT480S2DLPP1	71.400.10.00038
BB-PT480S2DLEC1	71.400.10.00039
BB-PT480S2DLEC2	71.400.10.00040
BB-PT480S2DLW11	71.400.10.00041

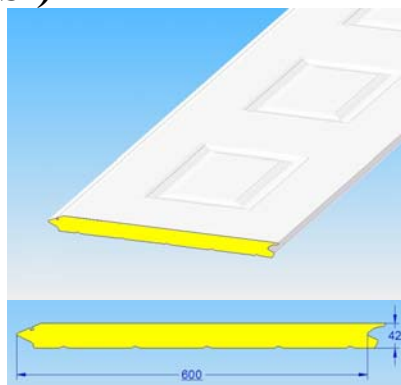


Panel filled with inflated polyurethane, double wall with stucco shaped galvanize steel sheet, thickness 0,5 mm.
 Panel height: 480 mm
 Total Panel thickness: 42mm
 Weight: 5,7 Kg/m
 Max length : until 14 m (continuous line CL)
 until 7,5 m (discontinuous line DL)

- Dyeing:
- Outside predyed only (PP1)
 - Electrostatic dyed in RAL tint outside only (EC1)
 - Electrostatic dyed in RAL tint inside & outside (EC2)
 - Wood imitation outside only (W11)

PANEL TABLADOTO 600 (S2)

Art. Code	Invoice Code
BB-PT600S2CLPP1	71.400.10.00009
BB-PT600S2CLEC1	71.400.10.00042
BB-PT600S2CLEC2	71.400.10.00043
BB-PT600S2CLW11	71.400.10.00044
BB-PT600S2DLPP1	71.400.10.00045
BB-PT600S2DLEC1	71.400.10.00046
BB-PT600S2DLEC2	71.400.10.00047
BB-PT600S2DLW11	71.400.10.00048

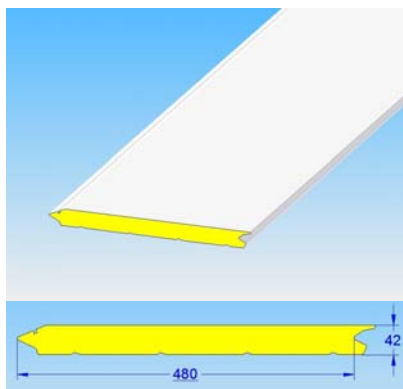


Panel filled with inflated polyurethane, double wall with stucco shaped galvanize steel sheet, thickness 0,5 mm.
 Panel height: 600 mm
 Total Panel thickness: 42mm
 Weight: 6,8 Kg/m
 Max length : until 14 m (continuous line CL)
 until 7,5 m (discontinuous line DL)

- Dyeing:
- Outside predyed only (PP1)
 - Electrostatic dyed in RAL tint outside only (EC1)
 - Electrostatic dyed in RAL tint inside & outside (EC2)
 - Wood imitation outside only (W11)

PANEL ISIO 480 (S3)

Art. Code	Invoice Code
BB-PI480S3CLPP1	71.400.10.00002
BB-PI480S3CLEC1	71.400.10.00049
BB-PI480S3CLEC2	71.400.10.00050
BB-PI480S3CLW11	71.400.10.00051
BB-PI480S3DLPP1	71.400.10.00052
BB-PI480S3DLEC1	71.400.10.00053
BB-PI480S3DLEC2	71.400.10.00054
BB-PI480S3DLW11	71.400.10.00055



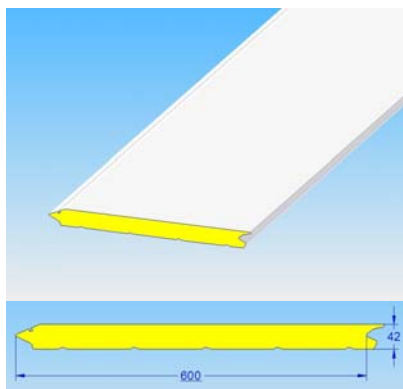
Panel filled with inflated polyurethane, double wall with stucco shaped galvanize steel sheet, thickness 0,5 mm.
 Panel height: 480 mm
 Total Panel thickness: 42mm
 Weight: 5,7 Kg/m
 Max length : until 14 m (continuous line CL)
 until 7,5 m (discontinuous line DL)

Dyeing:

- Outside predyed only (PP1)
- Electrostatic dyed in RAL tint outside only (EC1)
- Electrostatic dyed in RAL tint inside & outside (EC2)
- Wood imitation outside only (W11)

PANEL ISIO 600 (S3)

Art. Code	Invoice Code
BB-PI600S3CLPP1	71.400.10.00001
BB-PI600S3CLEC1	71.400.10.00056
BB-PI600S3CLEC2	71.400.10.00057
BB-PI600S3CLW11	71.400.10.00058
BB-PI600S3DLPP1	71.400.10.00059
BB-PI600S3DLEC1	71.400.10.00060
BB-PI600S3DLEC2	71.400.10.00061
BB-PI600S3DLW11	71.400.10.00062



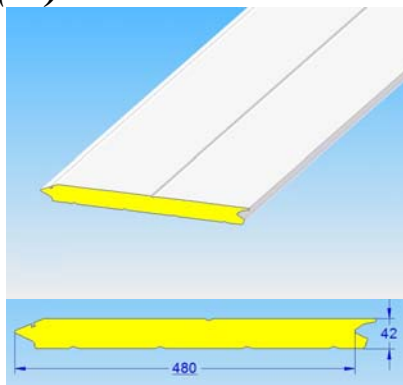
Panel filled with inflated polyurethane, double wall with stucco shaped galvanize steel sheet, thickness 0,5 mm.
 Panel height: 600 mm
 Total Panel thickness: 42mm
 Weight: 6,8 Kg/m
 Max length : until 14 m (continuous line CL)
 until 7,5 m (discontinuous line DL)

Dyeing:

- Outside predyed only (PP1)
- Electrostatic dyed in RAL tint outside only (EC1)
- Electrostatic dyed in RAL tint inside & outside (EC2)
- Wood imitation outside only (W11)

PANEL ONE STREAK 480 (S4)

Art. Code	Invoice Code
BB-PS480S4CLPP1	71.400.10.00003
BB-PS480S4CLEC1	71.400.10.00063
BB-PS480S4CLEC2	71.400.10.00064
BB-PS480S4CLW11	71.400.10.00065
BB-PS480S4DLPP1	71.400.10.00066
BB-PS480S4DLEC1	71.400.10.00067
BB-PS480S4DLEC2	71.400.10.00068
BB-PS480S4DLW11	71.400.10.00069



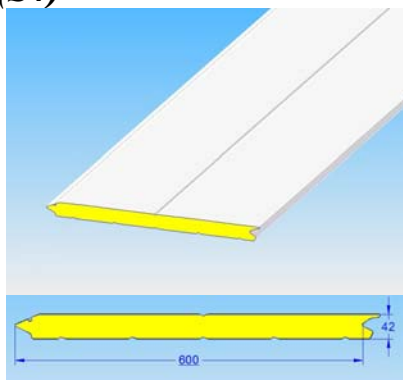
Panel filled with inflated polyurethane, double wall with stucco shaped galvanize steel sheet, thickness 0,5 mm.
 Panel height: 480 mm
 Total Panel thickness: 42mm
 Weight: 5,7 Kg/m
 Max length : until 14 m (continuous line CL)
 until 7,5 m (discontinuous line DL)

Dyeing:

- Outside predyed only (PP1)
- Electrostatic dyed in RAL tint outside only (EC1)
- Electrostatic dyed in RAL tint inside & outside (EC2)
- Wood imitation outside only (W11)

PANEL ONE STREAK 600 (S4)

Art. Code	Invoice Code
BB-PS600S4CLPP1	71.400.10.00004
BB-PS600S4CLEC1	71.400.10.00070
BB-PS600S4CLEC2	71.400.10.00071
BB-PS600S4CLW11	71.400.10.00072
BB-PS600S4DLPP1	71.400.10.00073
BB-PS600S4DLEC1	71.400.10.00074
BB-PS600S4DLEC2	71.400.10.00075
BB-PS600S4DLW11	71.400.10.00076



Panel filled with inflated polyurethane, double wall with stucco shaped galvanize steel sheet, thickness 0,5 mm.
 Panel height: 600 mm
 Total Panel thickness: 42mm
 Weight: 6,8 Kg/m
 Max length : until 14 m (continuous line CL)
 until 7,5 m (discontinuous line DL)

Dyeing:

- Outside predyed only (PP1)
- Electrostatic dyed in RAL tint outside only (EC1)
- Electrostatic dyed in RAL tint inside & outside (EC2)
- Wood imitation outside only (W11)

2 CABLE DRUMS**CABLE DRUM Hmax. 3000 mm**

Art. Code	Invoice Code
FF-NL-10	24.700.10.00031



Opening height: Hmax. 3000 mm
Door weight: max. 320 Kg
Cable diameter: max. 3,0 mm
Outside diameter: 84 mm
Shaft diameter: 1" (25,4 mm)
Pair (2pcs.- Left/red & Right/black)
Weight: 0,8 kg / pair

CABLE DRUM Hmax. 2440 mm

Art. Code	Invoice Code
FF0402	24.700.10.00025



Opening height: Hmax. 2440 mm
Door weight: max. 240 Kg
Cable diameter: max. 3,0 mm
Outside diameter: 121 mm
Shaft diameter: 1" (25,4 mm)
Pair (2pcs.- Left/red & Right/black)
Weight: 0,6 kg / pair

CABLE DRUM Hmax. 3880 mm

Art. Code	Invoice Code
FF-4-13	24.700.10.00026



Opening height: Hmax. 3880 mm
Door weight: max. 265 Kg
Cable diameter: max. 4,0 mm
Outside diameter: 126 mm
Shaft diameter: 1" (25,4 mm)
Pair (2pcs.- Left/red & Right/black)
Weight: 1,0 kg / pair

CABLE DRUM Hmax. 5570 mm

Art. Code	Invoice Code
FF-NL-18	24.700.10.00018

ABOLISHED

Opening height: Hmax. 5570 mm
Door weight: max. 500 Kg
Cable diameter: max. 5,0 mm
Outside diameter: 158 mm
Shaft diameter: 1" (25,4 mm)
Pair (2pcs.- Left/red & Right/black)
Weight: 1,6 kg / pair

CABLE DRUM Hmax. 10175 mm

Art. Code	Invoice Code
FF-NL-32	24.700.10.00019



Opening height: Hmax. 10175 mm
Door weight: max. 700 Kg
Cable diameter: max. 6,0 mm
Outside diameter: 226 mm
Shaft diameter: 1" (25,4 mm)
Pair (2pcs.- Left/red & Right/black)
Weight: 5,1 kg / pair

CABLE DRUM HLmax. 1370 mm

Art. Code	Invoice Code
FF-54	24.700.10.00028



Opening height: HLmax. 1370 mm
Door weight: max. 450 Kg
Cable diameter: max. 5,0 mm
Outside diameter: 188 mm
Shaft diameter: 1" (25,4 mm)
Pair (2pcs.- Left/red & Right/black)
Weight: 0,9 kg / pair

CABLE DRUM HLmax. 3050 mm

Art. Code	Invoice Code
FF-120	24.700.10.00029



Opening height: HLmax. 3050 mm
Door weight: max. 450 Kg
Cable diameter: max. 5,0 mm
Outside diameter: 233 mm
Shaft diameter: 1" (25,4 mm)
Pair (2pcs.- Left/red & Right/black)
Weight: 2,6 kg / pair

CABLE DRUM HLmax.4100 mm H 6000 mm

Art. Code	Invoice Code
FF-HL-164	24.700.10.00022



Opening height: HLmax.4100 mm H 6000 mm
Door weight: H=2500 650 Kg, H>2500 575 Kg
Cable diameter: max. 6,0 mm
Outside diameter: 280 mm
Shaft diameter: 1" (25,4 mm)
Pair (2pcs.- Left/red & Right/black)
Weight: 6,5 kg / pair

CABLE DRUM Hmax. 3300 mm

Art. Code	Invoice Code
FF-VL-11	24.700.10.00023



Opening height: Hmax. 3300 mm
Door weight: max. 500 Kg
Cable diameter: max. 5,0 mm
Outside diameter: 218 mm
Shaft diameter: 1" (25,4 mm)
Pair (2pcs.- Left/red & Right/black)
Weight: 1,9 kg / pair

CABLE DRUM Hmax. 6000 mm

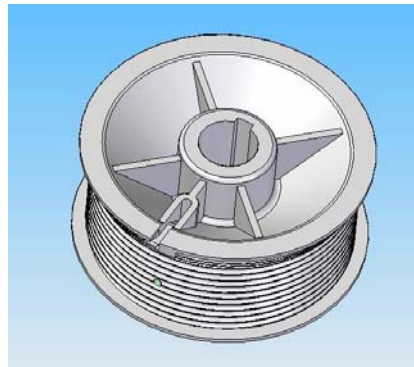
Art. Code	Invoice Code
FF-VL-18	24.700.10.00024



Opening height: Hmax. 6000 mm
Door weight: H=4000 600 Kg, H>4000 500 Kg
Cable diameter: max. 5,0 mm
Outside diameter: 284 mm
Shaft diameter: 1" (25,4 mm)
Pair (2pcs.- Left/red & Right/black)
Weight: 4,0 kg / pair

CABLE DRUM Hmax. 6000 mm

Art. Code	Invoice Code
BB-NHV-LH	24.700.10.00033
BB-NHV-RH	24.700.10.00034



Opening height: Hmax. 6000 mm
Door weight: max 700 Kg
Cable diameter: max. 6,0 mm
Outside diameter: 196 mm
Shaft diameter: 40 mm
Pair (2pcs.- Left/red & Right/black)
Weight: 4,3 kg / pair

3 SPRING FITTINGS***SPRING FITTINGS (51mm)***

Art. Code	Invoice Code
FF-2.00TAI	24.800.12.00032



For springs with an inside diameter: 51 mm
Shaft diameter: 1" (25,4 mm)
The centre line of the fixing holes: 86 mm
Set (2pcs.- 1 stationary Left/red &
1 winding Right/black)
Weight: 0,35 kg / set

SPRING FITTINGS (67mm)

Art. Code	Invoice Code
FF-2.63TAI	24.800.12.00033



For springs with an inside diameter: 67 mm
Shaft diameter: 1" (25,4 mm)
The centre line of the fixing holes: 105 mm
Set (2pcs.- 1 stationary Left/red &
1 winding Right/black)
Weight: 0,5 kg / set

SPRING FITTINGS (95mm)

Art. Code	Invoice Code
FF-3.75LETAI	24.800.12.00035



For springs with an inside diameter: 95 mm
Shaft diameter: 1" (25,4 mm)
The centre line of the fixing holes: 136 mm
Set (2pcs.- 1 stationary Left/red &
1 winding Right/black)
Weight: 1,6 kg / set

SPRING FITTINGS (152mm)

Art. Code	Invoice Code
FF-6.00	24.800.12.00036



For springs with an inside diameter: 152 mm
Shaft diameter: 1" (25,4 mm)
The centre line of the fixing holes: 136 mm
Set (4τμ.- 1 winding Left/red
1 winding Right/black) &
2 stationary
Weight: 2,5 kg / set

4 PLATES & BRACKETS**BEARING PLATE (67mm - RIGHT)**

Art. Code	Invoice Code
310RH	24.800.12.00021



Shaft diameter: 1" (25,4 mm)
Heart distance: 67 mm
Thickness: 2,5 mm
Weight: 0,25 kg

BEARING PLATE (67mm - LEFT)

Art. Code	Invoice Code
310LH	24.800.12.00022



Shaft diameter: 1" (25,4 mm)
Heart distance: 67 mm
Thickness: 2,5 mm
Weight: 0,25 kg

BEARING PLATE

Art. Code	Invoice Code
315-4N	24.800.12.00017
316-4N	24.800.12.00018
317-4N	24.800.12.00019
318-4N	24.800.12.00020



Thickness: 4 mm
Heart distance: 86 mm (315-4N)
111 mm (316-4N)
127 mm (317-4N)
152 mm (318-4N)
Weight: 0,70 kg (315-4N)
0,82 kg (316-4N)
0,91 kg (317-4N)
1,03 kg (318-4N)

MOUNTING PLATE

Art. Code	Invoice Code
UP-2-6	24.800.12.00023



Thickness: 4,2 mm
Heart distance: 152 mm
Weight: 0,83 kg

ADJUSTABLE PLATE FOR SPRING BREAK DEVICE

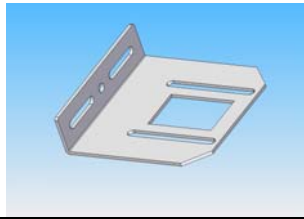
Art. Code	Invoice Code
661	24.800.12.00128



Heart distance: 86 until 152 mm
(adjustable)
Weight: 0,52 kg

ADJUSTABLE PLATE FOR OVITOR

Art. Code Invoice Code
662 71.800.12.00111



Thickness: 3,0 mm
Heart distance: 110 mm (adjustable)
Weight: 0,65 kg

BEARING RETAINER

Art. Code Invoice Code
325 24.800.12.00031



Thickness: 3,0 mm
Hole distance: 82 mm
For bearings with outside diameter: 50,8 mm
Weight: 0,11 kg

BEARING

Art. Code Invoice Code
USA-B 24.800.12.00075



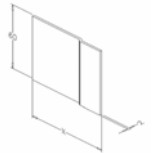
Inside diameter: 25,6 mm
Outside diameter: 50,8 mm
Weight: 0,11 kg

TRACK CONNECTING PLATE

Art. Code Invoice Code
808W 24.800.12.00024



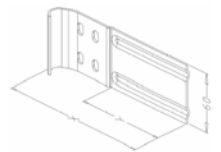
Thickness: 2 mm
Dimensions: 60x80 mm
Weight: 0,14 kg

**TRACK CONNECTING PLATE**

Art. Code Invoice Code
870-180 24.800.12.00028



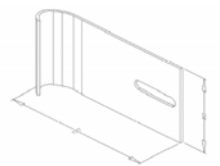
Thickness: 2 mm
Dimensions: 60x215 mm
Weight: 0,22 kg

**TRACK CONNECTING PLATE**

Art. Code Invoice Code
870HANG 24.800.12.00026

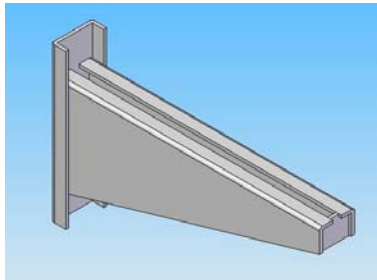


Thickness: 2 mm
Dimensions: 60x127 mm
Weight: 0,16 kg



REDUCTION GEAR SUPPORT

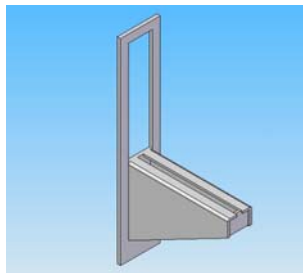
Art. Code Invoice Code
BB-435M 71.800.12.00112



Thickness: 4,0 mm
Heart distance: 435 mm (adjustable)
Weight: 5,4 kg

SAFETY DEVICE SUPPORT

Art. Code Invoice Code
BB-435A 71.800.12.00113



Thickness: 4,0 mm
Heart distance: mm (adjustable)
Weight: 5,4 kg

5 SHAFTS**SHAFT (TUBE WITHOUT KEY WAY)**

Art. Code	Invoice Code
701-6000	24.700.40.00009



Outside diameter: 1" (25,4 mm)
Thikness: 2 mm
Length: 6000 mm
Weight: 7,3 kg

SHAFT (TUBE WITH KEY WAY)

Art. Code	Invoice Code
705GB-3500	24.700.10.00003



Outside diameter: 1" (25,4 mm)
Thikness: 3 mm
Length: 3500 mm
Weight: 6,06 kg

SHAFT (SOLID WITH KEY WAY)

Art. Code	Invoice Code
702-3500Z	24.700.10.00011



Outside diameter: 1" (25,4 mm)
Length: 3500 mm
Weight: 13,3 kg

COUPLER (120mm)

Art. Code	Invoice Code
708-120	24.800.12.00052



Nominal diameter: 1" (25,4 mm)
Length: 120 mm
Weight: 0,52 kg

COUPLER (90mm)

Art. Code	Invoice Code
708-90	24.800.12.00051



Nominal diameter: 1" (25,4 mm)
Length: 90 mm
Weight: 0,39 kg

SQUARE KEY (1/4X1/4)

Art. Code	Invoice Code
700B-75	24.800.12.00081



Dimensions: 1/4" x 1/4"
Length: 75 mm
Weight: 0,026 kg

SQUARE KEY (1/4X3/8)

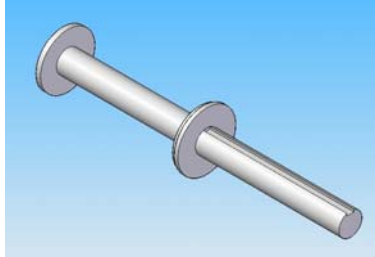
Art. Code Invoice Code
712B-75 24.800.12.00067



Dimensions: 1/4" x 1/8"
Length: 75 mm
Weight: 0,035 kg

SIDE SHAFT WITH FLANGE

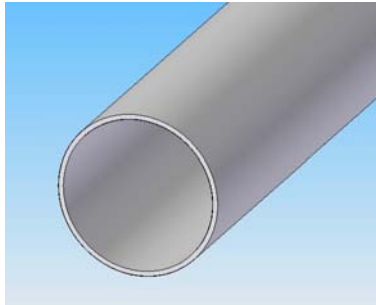
Art. Code Invoice Code
BB-40-101 71.800.12.00114



Outside diameter: 101 mm
Αξονας: Φ40 mm
Length: 500 mm
Weight: 6,5 kg

TUBE (Φ 101mm)

Art. Code Invoice Code
BB-101 24.700.10.00032



Outside diameter: 101 mm
Thikcness: 3 mm
Length: 6000 mm
Weight: 7,4 kg/m

6 SPRING FAILURE DEVICES

SPRING FAILURE DEVICE (for Springs 51mm)

Art. Code	Invoice Code
651 RH	24.800.12.00009
651 LH	24.800.12.00008



Nominal diameter: 1" (25,4 mm)
For springs 2" (51 mm)
Weight: 0,75 kg
RH Right - LH Left

SPRING FAILURE DEVICE (for Springs 67mm)

Art. Code	Invoice Code
667 RH	24.800.12.00011
667 LH	24.800.12.00010



Nominal diameter: 1" (25,4 mm)
For springs 2 5/8" (67 mm)
Weight: 0,75 kg
RH Right - LH Left

SPRING FAILURE DEVICE (for Springs 95mm)

Art. Code	Invoice Code
670 RH	24.800.12.00013
670 LH	24.800.12.00012



Nominal diameter: 1" (25,4 mm)
For springs 3 3/4" (95 mm)
Weight: 1,65 kg
RH Right - LH Left

SPRING FAILURE DEVICE (for Springs 152mm)

Art. Code	Invoice Code
670 RH(IND)	24.800.12.00183
670 LH(IND)	24.800.12.00182



Nominal diameter: 1" (25,4 mm)
For springs 6" (152 mm)
Weight: 1,65 kg
RH Right - LH Left

7 SCREWS-BOLTS-NUTS-RINGS***SREW SELF-TAPPING***

Art. Code Invoice Code
1052BV 25.800.30.00021



Dimensions: 6,3 x 16 mm
Weight: 0,006 kg

BOLT WITH 2mm HIGH SQUARE

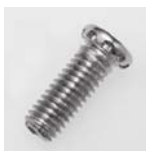
Art. Code Invoice Code
1062B 25.800.30.00019



Dimensions: M6 x 16 mm
Weight: 0,007 kg

PRESS BOLT SELF LOCKING

Art. Code Invoice Code
1006B 25.800.30.00018



Dimensions: M6 mm
Weight: 0,004 kg

BOLT DIN 603 galv 8X20

Art. Code Invoice Code
1820 25.800.30.00108



Dimensions: 8 x 20 mm DIN 603
Weight: 0,014 kg

BOLT DIN 603 galv 8X25

Art. Code Invoice Code
1825 25.800.30.00104



Dimensions: 8 x 25 mm DIN 603
Weight: 0,016 kg

BOLT HEXAGON DIN 933-8,8 - 8X16

Art. Code Invoice Code
1816 25.800.30.00063



Dimensions: 8 x 16 mm DIN 933
Weight: 0,011 kg

NUT DIN934 galv M8X1,25

Art. Code Invoice Code
1080M 25.800.30.00109



Dimensions: M8 x 1,25 mm DIN934
Weight: 0,047 kg

FLANGED NUT galv M6

Art. Code	Invoice Code
1062M	25.800.30.00051



Dimensions: M6
Weight: 0,003 kg

FLAT WASHER M8 DIN 125 galv

Art. Code	Invoice Code
1080R	25.800.30.00075



Dimensions: M8 DIN 125
Weight: 0,003 kg

FLAT WASHER M8 DIN9021 galv

Art. Code	Invoice Code
1080RW	25.800.30.00074



Dimensions: M8 DIN 9021
Weight: 0,006 kg

COLLAR

Art. Code	Invoice Code
1065	24.800.12.00093



Dimensions: $\Phi 25,6 \times \Phi 40 \times 5,5$
Weight: 0,09 kg

DISTANCE RINGS

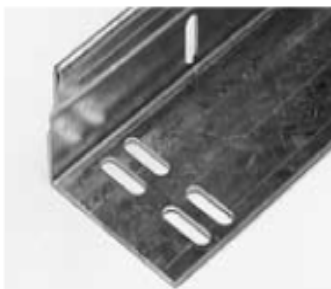
Art. Code	Invoice Code
2066-07	24.800.12.00002
2066-010	24.800.12.00003



Dimensions: $\Phi 11 \times 7,5$ $\Phi 11 \times 10$
Weight: 0,01 kg 0,01 kg

8 GALVANIZE PROFILES**ANGLE VERTICAL galv (90X62)**

Art. Code	Invoice Code
BB-9VB-20	24.700.40.00289
BB-9VB-15	24.700.40.00326



Thickness:	2,0 mm	1,5 mm
Weight:	2,56 kg/m	1,95 kg/m

VERTICAL DOOR TRACK

Art. Code	Invoice Code
BB-2V-20	24.800.50.00031
BB-2V-15	24.800.50.00036



Thickness:	2,0 mm	1,5 mm
Weight:	1,50 kg/m	1,12 kg/m

CURVE BIG (single track)

Art. Code	Invoice Code
2H1500-380	24.800.50.00026
2H3000-380	24.800.50.00027



Inside diameter:	380 mm	
Thickness:	2,0 mm	
Length:	1500 mm	3000 mm
Weight:	2,2 kg	4,5 kg

CURVE SMALL (double track)

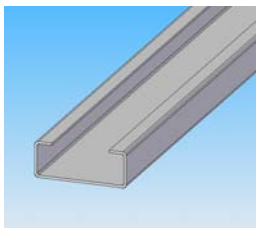
Art. Code	Invoice Code
BB-215H20-300	71.800.50.00027
BB-230H20-300	71.800.50.00029
BB-115H20-300	71.800.50.00030



Thickness:	2,0 mm	2,0 mm	1,5 mm
Length:	1500 mm	3000 mm	1500 mm
Weight:	2,27 kg	4,5 kg	1,68 kg

DISTANCE PROFILE

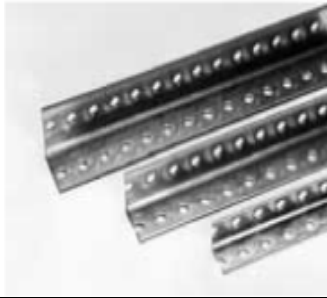
Art. Code	Invoice Code
BB-C5020	24.700.40.00291



Thickness:	2,0 mm
Weight:	1,36 kg/m

ANGLE PERFORATED 40X40

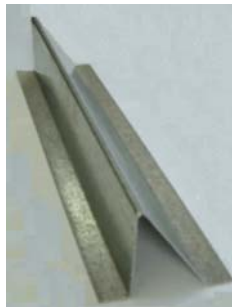
Art. Code	Invoice Code
BB-40B40	71.700.70.00003



Thickness: 2,5 mm
Weight: 1,55 kg/m

STRUT

Art. Code	Invoice Code
BB-75-5000	24.800.12.00116

ABOLISHED

Thickness: 0,8 mm
Weight: 1,36 kg/m

END CAP

Art. Code	Invoice Code
BB-42RE480	71.800.12.00107
BB-42RE600	71.800.12.00109



Thickness: 1,0 mm
Weight: 0,52 kg (480)
0,65 kg (600)

ANGLE BRACKET, RES, 380X96 mm

Art. Code	Invoice Code
3021L	24.800.12.00126



Dimensions: 380x96x30x1,5 mm
Weight: 0,2 kg

ANGLE BRACKET, DOUBLE TRACK, for 3021L

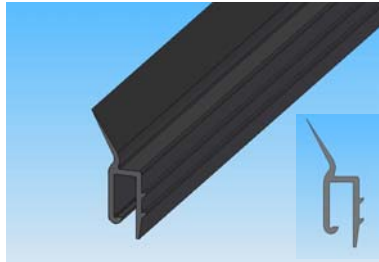
Art. Code	Invoice Code
3022D	24.800.12.00127



Thickness: 2,0 mm
Weight: 0,2 kg

9 RUBBER & SEALS**SIDE SEAL**

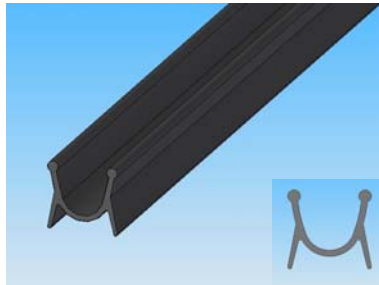
Art. Code	Invoice Code
1085-4560	24.800.40.00010
1085-5060	24.800.40.00011
1085-5560	24.800.40.00012
1085-6000	24.800.40.00013



Length: 4560, 5060, 5560, 6000 mm
Weight: 0,2 kg/m

BOTTOM ASTRAGAL

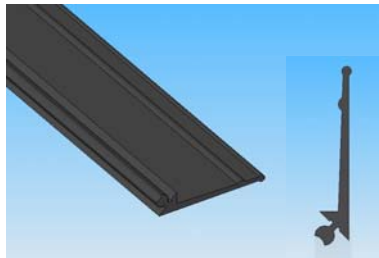
Art. Code	Invoice Code
BB-1035	24.800.40.00016



Weight: 0,47 kg/m

TOP ASTRAGAL

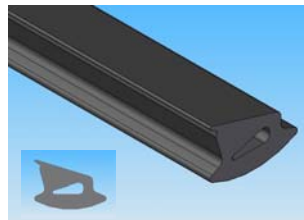
Art. Code	Invoice Code
BB-1036	24.800.40.00015



Weight: 0,24 kg/m

INTERVAL ASTRAGAL

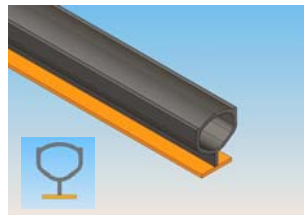
Art. Code	Invoice Code
BB-1037	24.800.40.00017



Weight: 0,03 kg/m

PASS DOOR ASTRAGAL

Art. Code	Invoice Code
BB-1032	24.800.40.00018



Weight: 0,02 kg/m

10 SPRING BUMBERS-PLATES***SPRING BUMBER, COMPLETE (220 mm)***

Art. Code	Invoice Code
718	24.800.12.00040



Length: 220 mm
Weight: 1,15 kg

SPRING BUMBER, COMPLETE (500 mm)

Art. Code	Invoice Code
719	24.800.12.00041



Length: 500 mm
Weight: 1,3 kg

PLATE Z for 718, 719

Art. Code	Invoice Code
2101	24.800.12.00122



Thickness: 4 mm
Weight: 0,53 kg

PLATE G for 718, 719

Art. Code	Invoice Code
2090	24.800.12.00122



Thickness: 4 mm
Weight: 0,56 kg

11 ALUMINIUM PROFILES***BOTTOM ALUMINIUM***

Art. Code Invoice Code
BB-1038 24.700.70.00030



Length: 6 m
Weight: 0,53 kg /m

TOP ALUMINIUM

Art. Code Invoice Code
BB-1038T 24.700.70.00033



Length: 6 m
Weight: 0,42 kg /m

HINGE FOR PASS DOOR (2,5m)

Art. Code Invoice Code
BB-1034N 24.800.12.00055



Length: 2,5 m
Weight: 2,5 kg

PASS DOOR PROFILE

Art. Code Invoice Code
BB-1033V 24.700.70.00036



Length: 6 m
Weight: 0,59 kg /m

PASS DOOR PROFILE WITH LIP

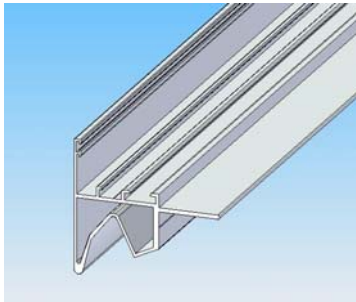
Art. Code Invoice Code
BB-1032END 24.700.70.00039



Length: 6 m
Weight: 0,77 kg /m

BOTTOM PANEL'S PROFILE

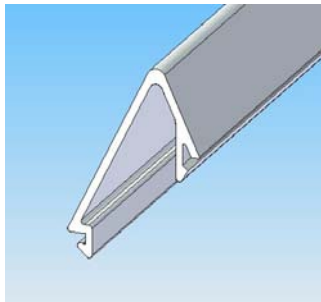
Art. Code Invoice Code
355005/1 24.700.70.00015



Length: 6 m
Weight: 1,12 kg /m

UPPER PROFILE FOR UP PROFILE

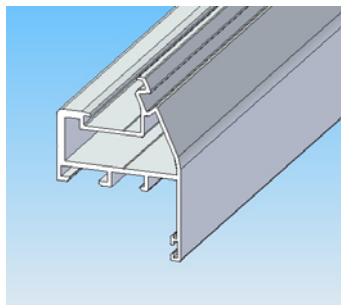
Art. Code Invoice Code
355007/1 24.700.70.00009



Length: 6 m
Weight: 0,21 kg /m

UP PROFILE

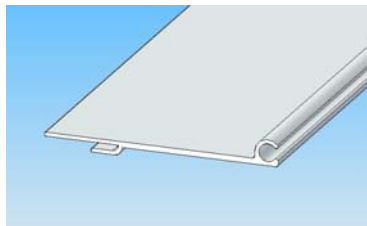
Art. Code Invoice Code
355008/1 24.700.70.00012



Length: 6 m
Weight: 0,83 kg /m

BLADE WITH SOCKET FOR RUBBER

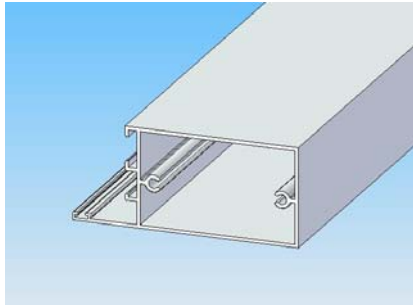
Art. Code Invoice Code
355006/1 24.700.70.00006



Length: 6 m
Weight: 0,57 kg /m

SIDE PANEL'S PROFILE

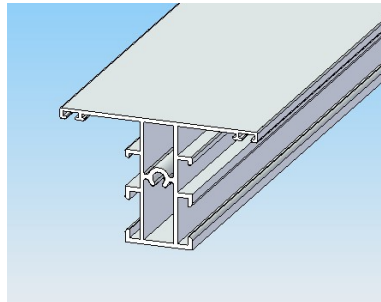
Art. Code Invoice Code
355009/1 24.700.70.00018



Length: 6 m
Weight: 0,88 kg /m

INTERMEDIATE PANEL'S PROFILE

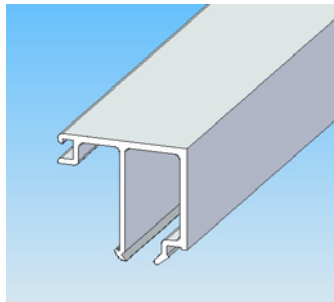
Art. Code Invoice Code
355010/1 24.700.70.00021



Length: 6 m
Weight: 0,83 kg /m

PROFILE FOR SINGLE GLASS

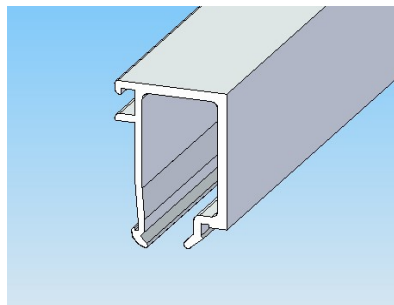
Art. Code Invoice Code
256075 24.700.70.00024



Length: 6 m
Weight: 0,29 kg /m

PROFILE FOR DOUBLE GLASS

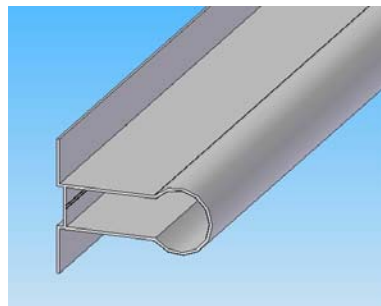
Art. Code Invoice Code
245525 24.700.70.00027



Length: 6 m
Weight: 0,34 kg /m

ALUMINIUM STRUT

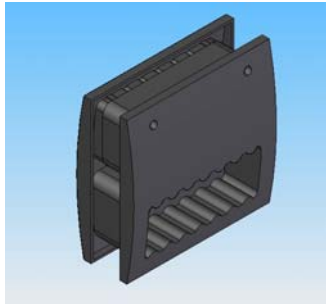
Art. Code Invoice Code
355015 24.700.70.00054



Length: 6 m
Weight: 0,7 kg /m

12 HANDLES-LOCKS**HANDLE**

Art. Code	Invoice Code
642BL	24.800.12.00120

**HANDLE BIOROL**

Art. Code	Invoice Code
BB-634	24.800.12.00097

**HANDLE BIOROL new**

Art. Code	Invoice Code
BB-634N	24.800.12.00098

**PASS DOOR PUSHER**

Art. Code	Invoice Code
BB-1034D	24.800.12.00129

**GRIP FOR PASS DOOR**

Art. Code	Invoice Code
1034GRIP	24.800.12.00130



LOCK 30 with ball

Art. Code	Invoice Code
BB-CL30B	24.800.10.00002

**LOCK 30**

Art. Code	Invoice Code
BB-CL30	24.800.12.00099

**CYLINDER 30**

Art. Code	Invoice Code
BB-CL30M	24.800.10.00003

**PASS DOOR HANDLE**

Art. Code	Invoice Code
BB-PD2	24.800.12.00184

**CYLINDER LOCK, RES DOORS**

Art. Code	Invoice Code
650-40BL	24.800.10.00001

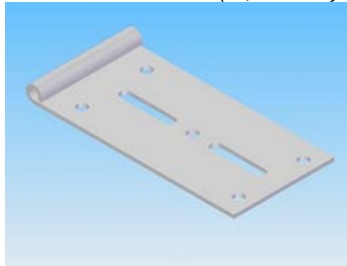
**EMERGENCY RELEASE KIT**

Art. Code	Invoice Code
RELEASE ADS	24.800.10.00008



13 HINGS-BRACKETS**TOP ROLLER BRACKET, DOUBLE GUIDE (2,5mm)**

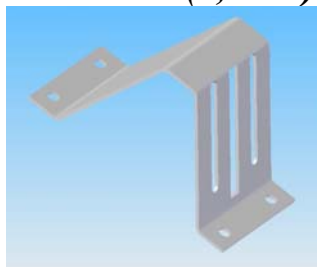
Art. Code Invoice Code
417 24.800.12.00058



Thikcness: 2,5 mm
Weight: 0,22 kg

TOP ROLLER BRACKET, SINGLE GUIDE (2,5mm)

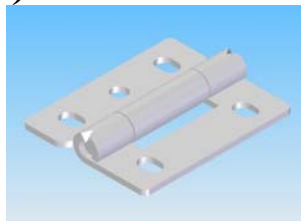
Art. Code Invoice Code
450BZ 24.800.12.00064



Thikcness: 2,5 mm
Weight: 0,27 kg

INTERMEDIATE HINGE (2,5mm)

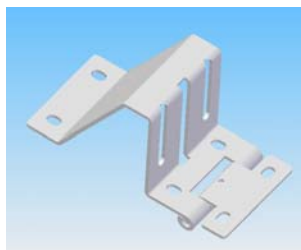
Art. Code Invoice Code
450HZ50 24.800.12.00054



Thikcness: 2,5 mm
Weight: 0,12 kg

SIDE HINGE (2,5mm)

Art. Code Invoice Code
450RZ50REV 24.800.12.00056



Thikcness: 2,5 mm
Weight: 0,35 kg

SLIDE SINGLE (2,5mm)

Art. Code Invoice Code
447Z 24.800.12.00115



Thikcness: 2,5 mm
Weight: 0,12 kg

SLIDE DOUBLE (2,5mm)

Art. Code Invoice Code
447DOUB 24.800.12.00150



Thickness: 2,5 mm
Weight: 0,22 kg

BOTTOM BRACKET, RES

Art. Code Invoice Code
427SX 24.800.12.00060



Door weight: max 500 kg
Pair: Left & Right
Weight: 1,5 kg/pair

CABLE BRAKE DEVICE

Art. Code Invoice Code
440-600 24.800.12.00059



Door weight: max 750 kg
Pair: Left & Right
Weight: 3,8 kg/pair

SLIDE BOLT

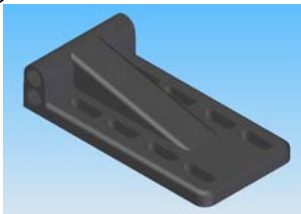
Art. Code Invoice Code
629VER 24.800.12.00077



Thickness: 2 mm
Weight: 0,67 kg/pc

TOP BRACKET, PLASTIC (black)

Art. Code Invoice Code
BB-PLU 24.800.12.00147



Weight: 0,050 kg/pc

INTERMEDIATE HINGE, PLASTIC (black)

Art. Code Invoice Code
BB-PLI 24.800.12.00148



Weight: 0,037 kg/pc

SIDE HINGE, PLASTIC (black)

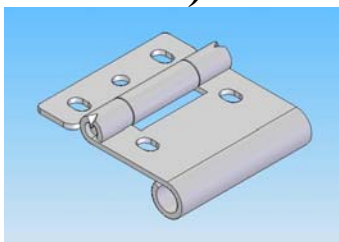
Art. Code Invoice Code
BB-PLS 24.800.12.00145



Weight: 0,069 kg/pc

SIDE HINGE, METALLIC (for double roller)

Art. Code Invoice Code
BB-MES 24.800.12.00185



Thickness: 2,5 mm
Weight: 0,180 kg/pc

14 ROLLERS**ROLLER short**

Art. Code Invoice Code
574-60 24.800.12.00071



Shaft diameter: 11 mm
Length: 119 mm
Weight: 0,15 kg

ROLLER long

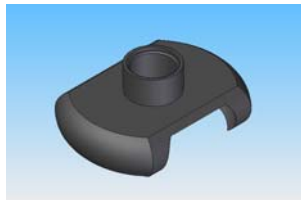
Art. Code Invoice Code
575-100 24.800.12.00072



Shaft diameter: 11 mm
Length: 193 mm
Weight: 0,21 kg

ROLLER PROTECTION

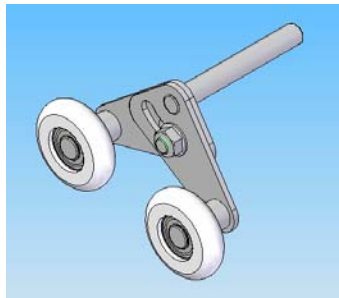
Art. Code Invoice Code
581CEN 24.800.12.00125



Για ράουλο: 2"
Weight: 0,1 kg

DOUBLE ROLLER

Art. Code Invoice Code
BB-2R-75 24.800.12.00186



Shaft diameter: 11 mm
Length: 113 mm
Weight: 0,305 kg/pc

15 CABLES & COMPONENTS**LIFTING CABLE**

Art. Code	Invoice Code
503F	24.800.12.00102
504F	24.800.12.00104
505F	24.800.12.00105



	503F	504F	505F	
Thikcness:	3	4	5	mm
Weight:	0,03	0,06	0,09	kg/m
Load/Pair:	500	295	165	kg

CABLE SLEEVE

Art. Code	Invoice Code
509	24.800.12.00090
510	24.800.12.00091
511	24.800.12.00092
512	24.800.12.00106



	509	510	511	512	
For cable:	5	4	3	3-4	mm
Weight:	0,7	0,5	0,3	0,2	kg/100

